



POWELL **VALVES**

BELLOWSEAL VALVES

FORGED AND CAST STEEL ALLOYS

GATE AND GLOBE

Table of Contents

<u>SUBJECT</u>	<u>PAGE</u>
THE WM. POWELL COMPANY—PROFILE	2-3
DESIGN FEATURES	4
CAST GATE VALVES	5
CAST GLOBE VALVES	6
FORGED GATE VALVES	7
FORGED GLOBE VALVES	8
TERMS AND CONDITIONS	9-11

The Wm. Powell Company - Profile

At The Wm. Powell Company, we are very proud of our achievements and evolution in the past 169 years. We like to refer to ourselves as 169 years young due to our flexibility in changing quickly to customer and industry needs. Our business strategy is simple, to continually provide excellent customer service. We will continue to focus on manufacturing the best of class products, both in design and quality, at very competitive prices.

Our products include a wide variety of bronze, iron, steel, and corrosion resistant alloy valves for class 125 to 4500 pressure service. Our experience as pioneer in the development of industrial valves encompasses over a century and a half of craftsmanship and valve know-how. Through modern engineering, laboratory research and testing facilities, The Wm. Powell Company continues to be a leader in the valve industry. Our on-going program is a long-term commitment to the valve industry and is poised for significant future growth.

Our mission has allowed us to aid the nation during five wars, endure some of the toughest economic times, and be involved in some of the most groundbreaking projects our nation has ever seen. Whether it was the Civil War, Great Depression, or “Manhattan” Project, we continue to endure the test of time and remain as one of the world’s leading industrial valve manufacturers.

Our market base is with industrial users, such as, Petro-Chemical, Industrial Gas, Pulp and Paper, and Chemical and Mechanical Construction. We have formed business partnerships with industrial end-users, contractors, distributors, and EPC’s in the United States and around the world. Business partnerships are formed on competitively priced product, on-time delivery, service, and our tradition of product reliability.

At Powell, our global network of support and product availability is unmatched. We offer the most complete multi-turn product line for a single source manufacturer. Our products are of the highest quality standards, competitively priced, and produced with ultra-modern manufacturing technology and astute materials sourcing. Our facilities are recognized with ISO 9001 “Worldwide Quality.”

Powell’s diverse products and services, industry knowledge, project capabilities, and reputation, coupled with our high quality distribution network, create a win-win arrangement where the end-user, contractor, distributor, and manufacturer all benefit.

We made a commitment to our industry to increase growth and market share, with high quality, competitive products, excellent service, and on-time delivery; this is a global commitment.

Powell’s customers have to react quickly to the demands of expansion by implementing increased capacity and introducing new products into the market place at low costs and fast turn around times. We have addressed our customer’s needs by increasing finished product inventory to over \$35 million in the U.S.A. as well as inventory hubs in Asia and Europe. As an additional advantage to our domestic and global customers, our Manning, South Carolina, facility is a U.S.A. Federal Registered Free Trade Zone.

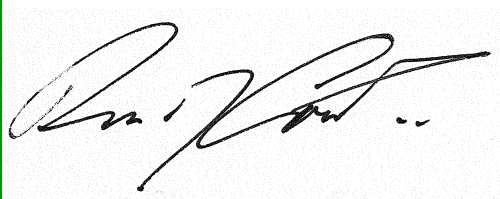
With our extensive valve knowledge and expertise, our modification facility located in Manning, South Carolina, can perform a variety of valve services and modifications, such as, automation, trim changes, end connection changes, additional quality inspections, special service pressure testing, field service, and more.

We are a closely held private corporation that has been in business since 1846. In fact, only nine presidents have led the company during our 169 year existence. We have been a healthy corporation during times of war, economic depression and natural disasters; we feel this speaks for itself.

At Powell, we thank you for your interest in our company, products and services. We look forward to discussing ways to be your preferred valve supplier. If you should have any questions or comments, please feel free to contact us here at Powell.

Sincerely,

Randy Cowart
President, CEO & Chairman
The Wm. Powell Company

A handwritten signature in black ink, appearing to read "Randy Cowart", is placed over a light gray rectangular background.

Powell Bellow-Seal Design Features

Cycle Life Testing

Cycle Life Testing of Cast Design Valves per MSS-SP-117:

Gate & Globe, Bolted Bonnet, Cast Steel Designs

- Gate Valves Over 2,000 Cycles
- Globe Valves Over 5,000 Cycles

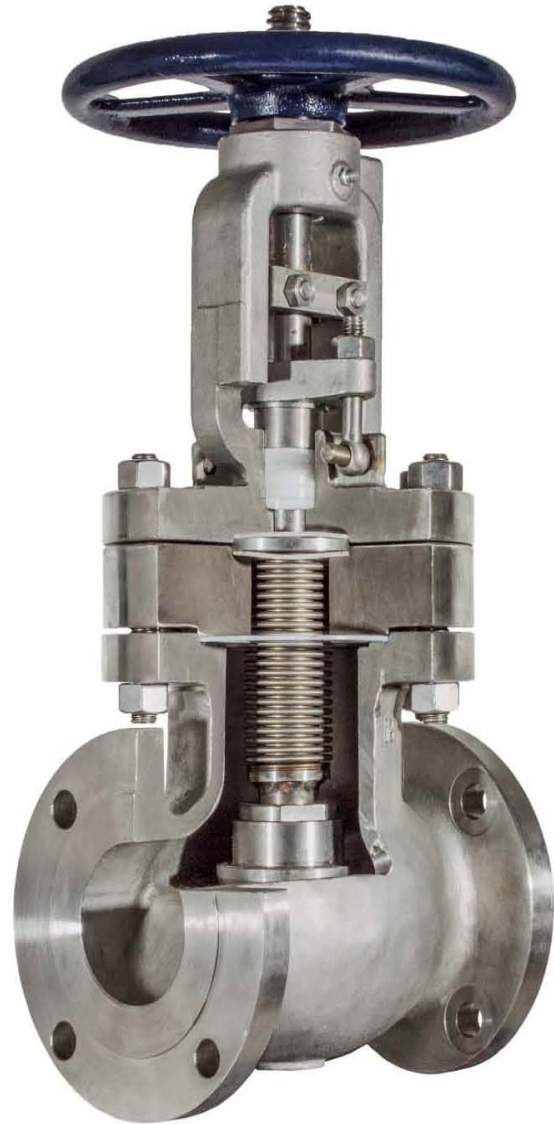
Cycle Life Testing of Forged Design Valves per API 602:

Gate & Globe, Bolted Bonnet, Forged Steel Designs

- Gate Valves Over 2,000 Cycles
- Globe Valves Over 5,000 Cycles

Features

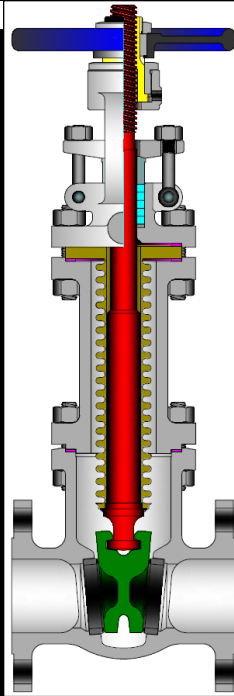
- Each Valve is Tested per API 598.
- Every Bellow Assembly is Helium Leak-Tested to Assure Zero Leakage.
- Non-Rotating Stems Prevent Torsion of Bellow.
- Secondary Stem Seals:
 - A. Stem Backseat
 - B. API 624 Stem Packing
- Lubricant Fittings to Ensure Proper Lubrication of Stem Bushing for Efficient Opening and Closing.
- Multiple Bellows Materials are available: 316Ti, Hastelloy, Inconel, Monel, Etc.)
- All Bellows are Hydroformed with a Minimum of Two Layers.
- Available in Pressure Classes 150-1500 (All Body Materials Available.)



POWELL VALVES

STANDARD MATERIALS (Other materials available)

PART	MATERIALS	
Body	A216 Gr. WCB	A351 Gr. CF8M (1)
Bonnet / Yoke arm	A216 Gr. WCB	A351 Gr. CF8M
Wedge	A216 WCB + 316 Faced	A351 Gr. CF8M
Seat Ring	Carbon Steel + Stellite 6 Faced	SST 316 + Stellite 6 Faced
Stem	SST 316	
Stem Bushing	A 439 Ductile NI-Resist Gr. D2	
Stem Bushing Lock Nut	Steel	SST 316
Bellows	316Ti	
Gland Flange	Carbon Steel	Series 300 SST
Eye Bolt	A193 Gr. B7	A193 Gr. B8
Eye Bolt Nut	A194 Gr. 2H	A194 Gr.8
Groove Pin	Steel	Series 300
Gland	SST 316	
Packing	Graphite	PTFE
Packing Washer / Packing Spacer	SST 316	SST 316
Gasket	Class 150: Corrugated SST Encapsulated w/ Graphite Class 300: Spiral Wound SST with Graphite	Class 150: PTFE Class 300: Spiral Wound SST with PTFE
Back Seat	SST 316	SST 316
Hand Wheel	Malleable Iron or Steel	
Hand Wheel Nut	Malleable Iron or Steel	
Key	Steel	
Lubricant Fitting	Steel	
Body / Bonnet Stud	A193 Gr. B7	A193 Gr. B8
Body / Bonnet Nut	A194 Gr. 2H	A194 Gr.8
Bearing Cap	Carbon Steel	Series 300 SST
Cap Screws	Steel	
Identification Plate	Series 300 SST	



Class	Fig. No.
150	1503
300	3003

DESIGN FEATURES:

- **Standard trim** is API trim 12 with 316Ti bellows.
- **Stems** are non-rotating with surface finish to maximize packing seal for low fugitive emissions.
- Other **Bellows** material options are available. Bellows are hydro-formed rather than welded.
- **Each** valve is shell, seat and backseat pressure tested per industry standard API 598.
- **Each** valve has a unique certification number that is traceable to the valve certification sheet which includes MTR data, pressure test report, inspection report and certificate of conformance.
- **Other** available options as follows:
 - Alternate valve materials such as chrome and stainless steel alloys
 - Alternate trim materials
 - Bypass, drain and other auxiliary connections
 - Gear, motor, and cylinder actuators available
 - NACE service
 - Special cleaning for applications such as oxygen or chlorine
 - Other options available as specified

(1) Weld end valve body A351 Gr. CF3M

Design Specifications

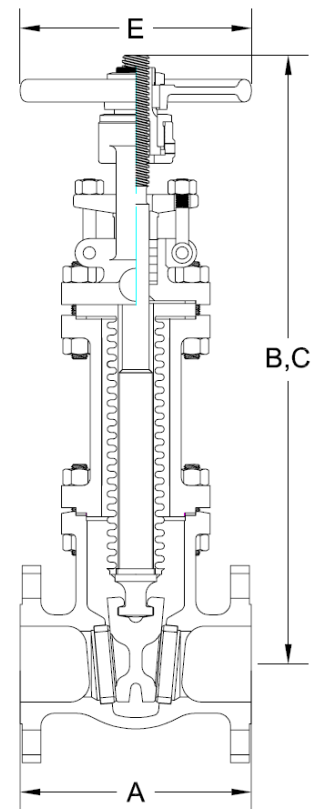
Item	Applicable Specification	in	ASME 150					ASME 300			
			A		B	C	E	A	B	C	E
			FE	WE							
Wall thickness	API 600	2	7.00	8.50	18.8	21.1	7.0	8.50	21.5	23.9	7.0
		50	178	216	477	535	178	216	547	608	178
Pressure - temperature ratings	ASME B16.34	2 ½	7.50	9.50	20.6	23.4	7.0	9.50	24.9	27.8	7.0
		65	190	241	523	594	178	241	633	705	178
General valve design	API 600 & B16.34 & MSS SP-117	3	8.00	11.12	24.0	27.2	9.1	11.12	30.9	34.4	9.1
		80	203	282	609	692	230	282	785	875	230
End to End dimensions	ASME B16.10	4	9.00	12.00	30.3	34.6	10.0	12.00	35.9	40.4	10.0
		100	229	305	769	880	254	305	913	1027	254
Flange design	ASME B16.5	5	10.00	15.00	38.3	45.0	12.0	15.00	44.3	50.9	14.0
		125	254	381	974	1143	305	381	1124	1294	356
Butt Weld design	ASME B16.25	6	10.50	15.88	39.9	46.5	12.0	15.88	45.0	51.7	14.0
		150	267	403	1014	1182	305	403	1144	1314	356
Materials	ASTM	8	11.50	16.50	49.0	57.8	14.0	16.50	56.0	64.7	16.0
		200	292	419	1244	1467	356	419	1423	1644	406
		10	13.00	18.00	59.3	70.1	16.0	18.00	69.0	79.8	20.0
		250	330	457	1507	1781	406	457	1752	2026	508
		12	14.00	19.75	74.3	87.3	20.0	19.75	75.8	88.9	20.0
		300	356	502	1887	2217	508	502	1925	2257	508

WE = Butt weld ends

FE = Flanged ends

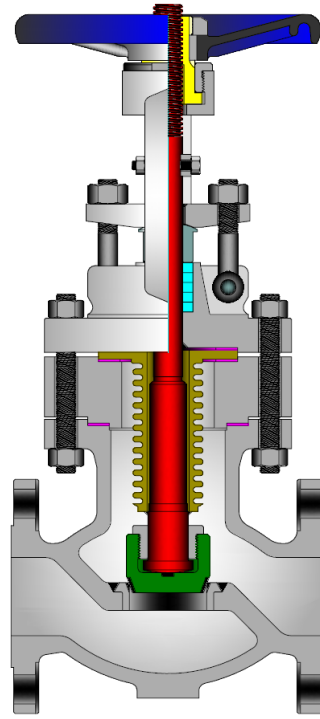
B = Center to top closed

C = Center to top open


ADDITIONAL SIZES, MATERIALS AND CLASSES AVAILABLE UPON REQUEST.

STANDARD MATERIALS (Other materials available)

PART	MATERIALS	
Body	A216 Gr. WCB	A351 Gr. CF8M (1)
Bonnet	A216 Gr. WCB	A351 Gr. CF8M
Disc	A105 or A216 WCB + 316 Faced	A351 Gr. CF8M
Disc Nut	SST 316	
Seat Ring	A105 or A216 WCB + Stellite 6 Faced	A351 Gr. CF8M + Stellite 6 Faced
Stem	SST 316	
Stem Bushing	A 439 Ductile NI-Resist Gr. D2	
Stem Bushing Set Screw	Steel	Series 300 SST
Bellows	316Ti	
Gland Flange	Carbon Steel	A351 Gr. CF8M
Eye Bolt	A193 Gr. B7	Series 300 SST
Eye Bolt Nut	A194 Gr. 2H	A194 Gr.8
Groove Pin	Steel	SST 316
Gland	Series 300 SST	
Packing	Graphite	PTFE
Packing Washer	SST 316	SST 316
Gasket	Class 150: Corrugated SST Encapsulated w/ Graphite Class 300: Spiral Wound SST with Graphite	Class 150: PTFE Class 300: Spiral Wound SST with PTFE
Back Seat	SST 316	SST 316
Hand Wheel	Malleable Iron or Steel	
Hand Wheel Nut	Malleable Iron or Steel	
Body / Bonnet Stud	A193 Gr. B7	A193 Gr. B8
Body / Bonnet Nut	A194 Gr. 2H	A194 Gr.8
Identification Plate	Series 300 SST	



Class	Fig. No.
150	1531
300	3031

DESIGN FEATURES:

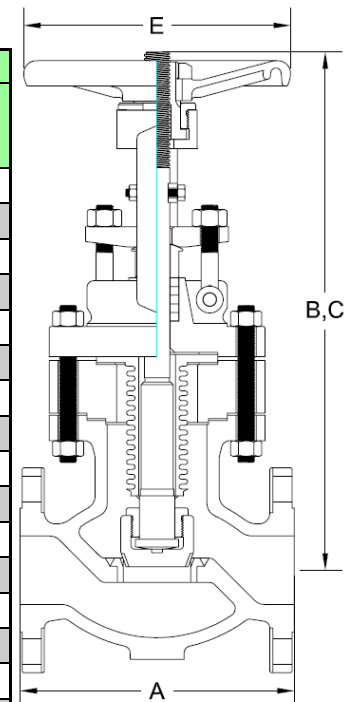
- **Standard trim** is API trim 12 with 316Ti bellows.
- **Each** valve is shell, seat and back-seat pressure tested per industry standard API 598.
- Other **Bellows** material options are available. Bellows are hydro-formed rather than welded.
- **Each** valve has a unique certification number that is traceable to the valve certification sheet which includes MTR data, pressure test, inspection result and certificate of conformance.
- **Other** available options as follows:
 - Alternate valve materials such as chrome and stainless steel alloys
 - Alternate trim materials
 - Bypass, drain and other auxiliary connections
 - Gear, motor, and cylinder actuators available
 - NACE service
 - Special cleaning for applications such as oxygen or chlorine
 - Other options available as specified

(1) Weld end valve body A351 Gr. CF3M

Design Specifications

Item	Applicable Specification	SIZE	ASME 150				ASME 300			
		in	A	B	C	E	A	B	C	E
		mm	WE/FE				WE/FE			
Wall thickness	API 623	2	8.00	16.0	16.8	7.9	10.50	17.5	18.4	7.9
Pressure - temperature ratings	ASME B16.34	50	203	406	426	200	267	445	468	200
		2 1/2	8.50	16.0	16.9	9.8	11.50	16.9	18.0	9.8
General valve design	API 623 & B16.34 & MSS SP-117	65	216	407	428	250	292	430	458	250
End to End dimensions	ASME B16.10	3	9.50	17.9	18.9	11.8	12.50	20.7	21.7	11.8
		80	241	455	479	300	318	525	551	300
Flange design	ASME B16.5	4	11.50	23.2	24.6	11.8	14.00	30.2	32.0	13.8
Butt Weld design	ASME B16.25	100	292	590	626	300	356	767	812	350
Materials	ASTM	6	16.00	24.6	26.3	15.8	17.50	31.7	33.7	17.7
		150	406	626	669	400	444	806	857	450
		8	19.50	29.5	31.9	17.7	22.00	34.1	36.6	21.7
		200	495	750	809	450	559	866	930	550
		10	24.50	36.3	39.7	19.7	24.50	43.5	46.9	23.6
		250	622	923	1008	500	622	1106	1190	600
		12	27.50	49.8	54.1	23.6	-	-	-	-
		300	698	1265	1375	600	-	-	-	-

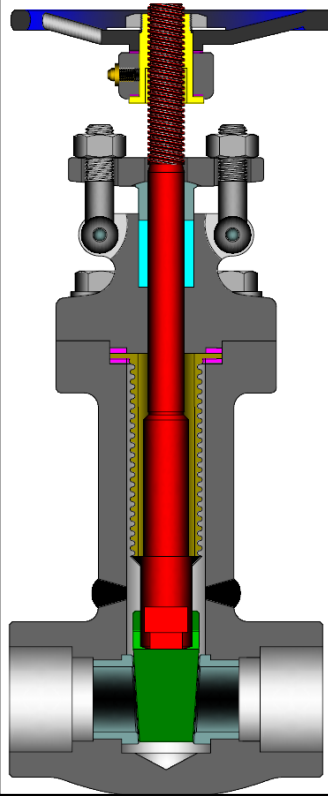
B = Center to top closed
C = Center to top open

WE = Butt weld ends
FE = Flanged ends

ADDITIONAL SIZES, MATERIALS AND CLASSES AVAILABLE UPON REQUEST.

API 602 BELLOW-SEAL GATE VALVES
 FORGED CARBON, STAINLESS STEEL OR ALLOY STEEL
 ½" TO 2" (13 TO 50 mm), ASME CLASS 800

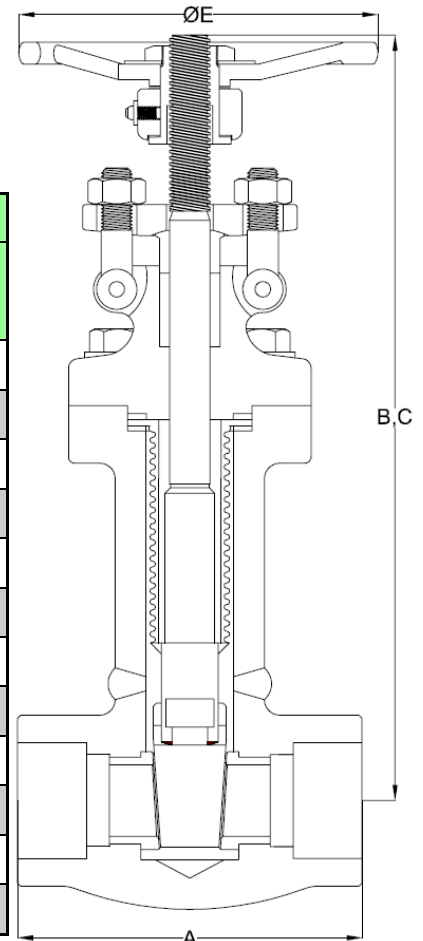
STANDARD MATERIALS
 (Other materials available)

PART	MATERIALS	
Body	A105	A182F316L
Bonnet	A105	A182 F316
Wedge	A182 F316	
Seat Ring	SST 316 + Stellite 6 Faced	
Stem	A182 F316	
Stem Bushing	A 439 Ductile NI-Resist Gr. D2	
Bellows	316Ti	
Gland Flange	A105	Series 300 SST
Eye Bolt	A193 Gr. B7	A193 Gr. B8M
Eye Bolt Nut	A194 Gr. 2H	A194 Gr.8M
Gland	SST 316	
Packing	Graphite	
Packing Washer / Packing Spacer	SST 316	
Gasket (2)	Spiral Wound SST with Graphite	
Hand Wheel	Malleable Iron or Steel	
Hand Wheel Nut	Malleable Iron or Steel	
Key	Steel	
Body / Bonnet Bolting	A193 Gr. B7	A193 Gr. B8M
Identification Plate	Series 300 SST	


DESIGN FEATURES:

- **Standard trim** is API trim 12 with 316Ti bellows.
- **Stems** are non-rotating with surface finish to maximize packing seal for low fugitive emissions.
- **Each** valve is shell, seat and back-seat pressure tested per industry standard API 598.
- Other **Bellows** material options are available. Bellows are hydro-formed rather than welded.
- **Other** available options as follows:
 - Alternate valve materials such as chrome and stainless steel alloys
 - Alternate trim materials
 - NACE service
 - Special cleaning for applications such as oxygen or chlorine
 - Other options available as specified.

Class	Fig. No.
800	BG08


Design Specifications

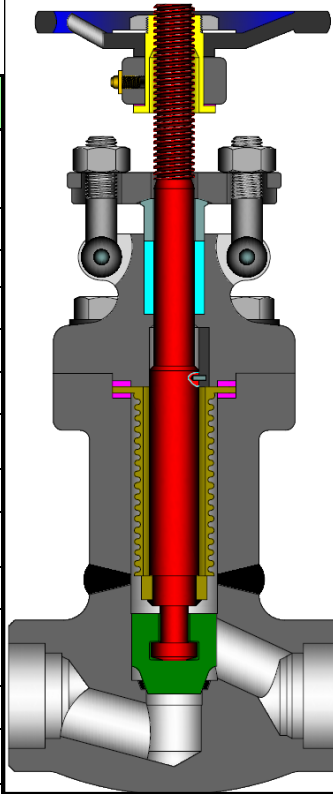
Item	Applicable Specification	SIZE	ASME 800			
		in mm	A	B	C	E
Wall thickness	API 602	½	3.11	9.6	10.2	3.9
Pressure - temperature ratings	ASME B16.34 & API 602	13	79	244	260	100
General valve design	API 602 & B16.34	¾	3.62	9.6	10.2	3.9
End to End dimensions	ASME B16.10	19	92	244	260	100
Thread design	ASME B1.20.1	1	4.37	11.6	12.4	4.9
Socket Weld design	ASME B16.11	25	111	295	316	125
Materials	ASTM	1¼	4.72	16.4	17.5	6.3
THREADED AND CLASS 150-600 FLANGED ENDS AVAILABLE.		32	120	416	445	160
		1½	4.72	16.4	17.5	6.3
B = Center to top closed C = Center to top open		38	120	416	445	160
		2	5.51	19.0	20.6	7.1
		50	140	483	524	180

ADDITIONAL MATERIALS AND CLASSES AVAILABLE UPON REQUEST.

API 602 BELLOW-SEAL GLOBE VALVES
 FORGED CARBON, STAINLESS STEEL OR ALLOY STEEL
 ½" TO 2" (13 TO 50 mm), ASME CLASS 800

STANDARD MATERIALS
 (Other materials available)

PART	MATERIALS	
Body	A105 + Stellite 6 Faced	A182 F316L + Stellite 6 Faced
Bonnet	A105	A182 F316
Disc	A182 F316	
Stem	A182 F316	
Bellows	316Ti	
Gland Flange	A105	A182 F316
Eye Bolt	A193 Gr. B7	A193 Gr. B8M
Eye Bolt Nut	A194 Gr. 2H	A194 Gr. 8M
Gland	Series 300 SST	
Packing	Graphite	
Gasket (2)	Spiral Wound SST with Graphite	
Hand Wheel	Malleable Iron or Steel	
Hand Wheel Nut	Malleable Iron or Steel	
Body / Bonnet Bolting (2)	A193 Gr. B7	A193 Gr. B8M
Identification Plate	Series 300 SST	

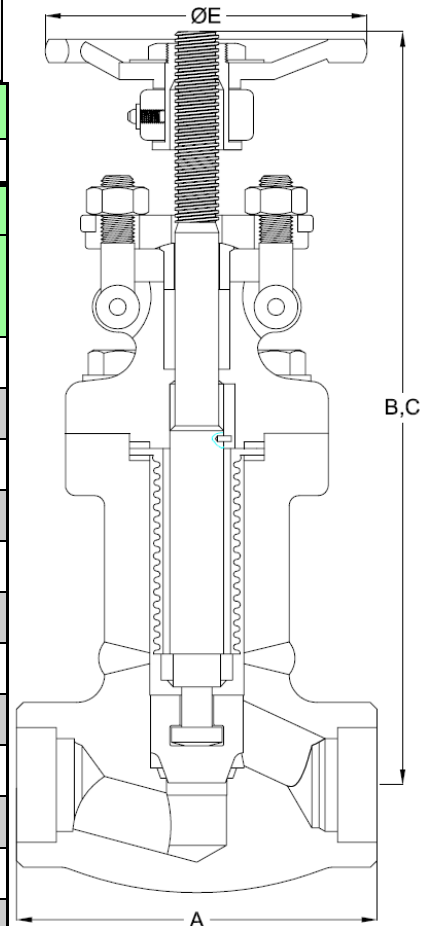

DESIGN FEATURES:

- **Standard trim** is API trim 12 with 316Ti bellows.
- **Stems** of hand wheel operated design are rotating / rising design.
- **Each** valve is shell, seat and back-seat pressure tested per industry standard API 598.
- Other **Bellows** material options are available. Bellows are hydro-formed rather than welded.
- **Other** available options as follows:
 - Alternate valve materials such as chrome and stainless steel alloys
 - Alternate trim materials
 - NACE service
 - Special cleaning for applications such as oxygen or chlorine
 - Other options available as specified

Class	Fig. No.
800	BL08

Design Specifications

Item	Applicable Specification	SIZE	ASME 800			
		in mm	A	B	C	E
Wall thickness	API 602	½	3.11	8.2	8.5	3.9
Pressure - temperature ratings	ASME B16.34 & API 602	13	79	209	217	100
General valve design	API 602 & B16.34	¾	3.62	8.2	8.5	3.9
End to End dimensions	ASME B16.10	19	92	209	217	100
Thread design	ASME B1.20.1	1	4.37	9.8	10.1	4.9
Socket Weld design	ASME B16.11	25	111	248	257	125
Materials	ASTM	1¼	4.72	11.6	12.1	6.3
THREADED AND CLASS 150-600 FLANGED ENDS AVAILABLE.		32	120	295	307	160
		1½	5.98	11.6	12.1	6.3
B = Center to top closed C = Center to top open		38	152	295	307	160
		2	6.77	13.2	13.7	7.1
		50	172	336	349	180


ADDITIONAL MATERIALS AND CLASSES AVAILABLE UPON REQUEST.

March, 2011 THE WILLIAM POWELL COMPANY
GENERAL TERMS AND CONDITIONS OF SALE

1. TERMS EXCLUSIVE: The terms and conditions of the purchase order or requisition to which these GENERAL TERMS AND CONDITIONS OF SALE (these "Terms and Conditions") relate or are attached (each, an "Order"), are exclusive and represent the full and final agreement of The William Powell Company, an Ohio corporation ("Powell") and the purchaser ("Purchaser") as they relate to the goods, materials, services or labor covered in the Order (all, whether or not tangible property or goods, the "Products"), and may not be added to, modified, superseded or altered except by written agreement or modification signed by Powell's authorized representative, notwithstanding any additional or other proposals, terms and conditions which may now or in the future appear on Purchaser's Orders or other forms (notification of objection thereto being given hereby), in whatever form transmitted, and notwithstanding any shipment of Products, acceptance of payments or other similar acts of Powell.

2. SALE BY AGENT OR REPRESENTATIVE: These Terms and Conditions shall govern the liability and obligations of Powell in regard to the transaction in Products, whether the sale was procured directly by Powell or indirectly through an authorized sales representative.

3. CONTRACT: Orders may be submitted to Powell in writing (which will include via an electronic transmission) or orally, provided, however, that if Purchaser fails to provide a detailed, formal written Order (a) within ten (10) days of an oral Order or (b) before shipment of the Order, whichever is earlier, then Product descriptions, quantities, specifications, etc., as set forth in Powell's acknowledgement, acceptance and/or invoice, shall be conclusive and binding on both parties, and discrepancies shall be for Purchaser's account. All Orders are subject to credit approval and acceptance by Powell. An Order shall be deemed to have been accepted by Powell upon the first to occur of the following: (i) Powell's first shipment or other tender of the Order or (ii) acceptance thereof by Powell in writing.

4. PERMISSIBLE VARIATIONS: Powell has the right, prior to the delivery of Products to Purchaser and without the giving of notice to Purchaser, to make any changes in the composition, fabrication or design of the Products which, in the opinion of Powell, do not affect the general characteristics or properties of the Products. In addition, Powell may make any change or any variation in the Products, whether of quality or quantity, which is within governmental or professional standards or specifications applicable at the time of manufacture without giving notice to Purchaser. Purchaser will accept any Products which may incorporate any changes in the composition, fabrication or design.

5. PRICES: Prices for Products are quoted and payable in U.S. dollars ("USD"). Prices stated in general price lists are subject to change without prior notice, at Powell's sole discretion. Prices that are provided in a specific quotation will remain firm for thirty (30) days of the issued date of the written quotation. All prices are exclusive of freight costs, taxes and duties. All taxes (including, without limitation, sales, use, stamp, value added and other taxes) duties, fees, charges and assessments by whomsoever levied on or with respect to the Products, and whether levied against Purchaser or Powell, are for Purchaser's account and, unless invoiced, shall be paid by Purchaser directly to the appropriate governmental agency.

6. SHIPPING TERMS: Delivery of Products to Canada, the United States and Mexico shall be F.O.B. (as defined in the Uniform Commercial Code as in effect in the State of Ohio) Powell's plant of manufacture. Delivery of Products outside of Canada, United States and Mexico shall be Ex Works (as defined by INCOTERMS 2000) Powell's plant of manufacture. All transportation expenses, freight and insurance shall be paid by Purchaser, and risk of delay, loss or damage incurred in transit shall be borne by Purchaser, who shall be responsible to file any such claims with the relevant carrier(s) or insurers.

Upon tender of delivery, title shall pass to Purchaser, subject to Powell's right of stoppage in transit and to Powell's security interest in the Products, as set forth in Section 8. If the Products are held by Powell subject to receiving instructions from Purchaser or in any case where Powell, in its sole discretion, determines any part of the Products should be held for Purchaser's account, Powell may invoice the Products, and Purchaser agrees to make payment in accordance with these Terms and Conditions. Products invoiced and held at any location by Powell will be held at Purchaser's risk, and Powell may charge for (but is not obligated to carry) insurance and storage.

If Purchaser has declared or manifested an intention not to accept delivery in accordance with these Terms and Conditions, no tender will be necessary, but Powell may, at its option, give notice to Purchaser that Powell is ready and willing to deliver and such notice will constitute a valid tender of delivery.

7. INSPECTION AND ACCEPTANCE: Each shipment shall be inspected by Purchaser for observable damage and/or non-conformity at the time of delivery of the Products. Failure to so inspect shall constitute a waiver of Purchaser's rights of inspection and shall constitute an unqualified acceptance of the Products. If, after such inspection, Purchaser attempts to reject any Products, Purchaser shall fully specify all claimed damage or non-conformity in writing in a notice of rejection sent to Powell within five (5) days of delivery of the Products. Purchaser's failure to so specify shall constitute a waiver of that damage or non-conformity. Partial deliveries shall be accepted by Purchaser and paid for according to these Terms and Conditions.

8. PAYMENT TERMS: Payment shall be due net thirty (30) days from the date of invoice. Overdue accounts shall be subject to a carrying charge of one and one-half percent (1.5%) per month or portion of a month on the unpaid balance until paid in full. In the event Purchaser shall default on its obligations hereunder, Purchaser shall be liable for all of Powell's costs and expenses of collection, including reasonable attorneys' fees. Powell may, at its option, cancel and/or sell any unshipped Products should Purchaser fail to fulfill the complete terms of payment. Purchaser will have no right to offset any amounts against any payment or other obligation which Powell may owe to Purchaser. Powell hereby reserves a security interest in the Products to secure Purchaser's payment of the purchase price and any other amounts owed by Purchaser, and Purchaser agrees that Powell may (but is not obligated to) take such action as Powell deems advisable to evidence and perfect such interest and that Purchaser will cooperate with Powell in the taking of such actions.

9. CREDIT APPROVAL: Notwithstanding the provisions of Section 8, Powell may at any time decline to make any shipment or delivery or perform any work except upon receipt of payment or upon terms and conditions or security satisfactory to Powell, including, but not limited to, requiring that Purchaser provide Powell one or more letters of credit.

10. LEAD TIMES: Estimated lead times, if specified, are approximate only and are not guaranteed. Failure to ship on or near the estimated date shall not entitle Purchaser to any remedy or to cancel the Order without charge. Estimated lead times are provided Ex Works Powell's plant in weeks after receipt of Order. Estimated lead times are stated on a net basis and do not include any additional lead time due to scheduled and/or unscheduled plant shutdowns. Scheduled plant shutdowns include a two (2) week shutdown each winter and each summer. Estimated lead times are quoted on the basis of material availability and plant loading at the time of quotation, which are subject to change. Purchaser should confirm any estimated lead times at time of Order.

11. MINIMUM ORDER CHARGE: With respect to any Order that includes spare, replacement or component parts ("Parts") as Products, a minimum Order charge of One Hundred USD (\$100) shall apply. With respect to any Order that includes valves ("Valves") as Products, a minimum Order charge of Three Hundred Fifty USD (\$350) shall apply.

12. RETURN OF PRODUCTS: No Products shall be returned to Powell without Powell's prior written agreement. Products returned by Purchaser shall be returned in the same condition as when delivery was affected by Powell. Only Products that are new, unused and in a condition suitable for immediate resale shall be considered for return. Powell reserves the right to assess a minimum thirty-five percent (35%) restocking charge for Products returned for reasons other than defects or non-conformity.

13. CANCELLATION/SUSPENSION: Purchaser shall not cancel or suspend an Order without Powell's prior written consent, which such consent Powell shall be under no obligation to provide. In the event of cancellation or suspension of an Order without Powell's prior written consent, in addition to Powell's other rights and remedies available hereunder and under applicable law, Purchaser shall pay cancellation charges as follows: (a) Order entered in Powell's system, but no engineering yet initiated, 5%, (b) Engineering work has begun and orders for casings and/or outside purchased parts have been placed, 25%, (c) Castings poured and/or components made, but not yet received at Powell's location, 75%, (d) Castings poured and/or components made and received at Powell's location, 85%, (e) Manufacturing process started, 95% and (f) Components finished, 100%.

Powell may cancel all or part of an Order immediately upon the happening of any of the following: Purchaser is delinquent on any of its obligations hereunder or under any order or transaction with Powell, insolvency of Purchaser; the appointment of a custodian as that term is defined in Title 11 U.S.C., as amended (the "Bankruptcy Code"), or the commencement of a case under any chapter of the Bankruptcy Code or the bankruptcy, receivership, insolvency or similar laws of any country for, by or against Purchaser; Purchaser's suspension or termination of business or assignment for the benefit of creditors; or any event, whether or not similar to the foregoing, which materially impairs Purchaser's ability to perform hereunder. Powell's rights to cancel or postpone set forth herein may be exercised by Powell without liability.

14. CORRECTIONS: Powell reserves the right to make corrections to price lists, quotations, invoices or other contract documents in the event of clerical or typographical errors.

15. COUNTRY OF ORIGIN: Powell reserves the right to furnish Products from any of its plants at its sole discretion and does not represent that the Products listed

herein originate from any specific country. Any costs affected by country of origin, including, but not limited to, customs duties, are not included in the purchase price and are for Purchaser's account.

16. INFORMATION REGARDING PRODUCTS: Purchaser acknowledges that it has received and is familiar with Powell's and any other manufacturer's labeling and literature concerning the Products and will forward such information to its employees, agents and customers.

17. POWELL PRODUCT WARRANTY: For a period of (a) ninety (90) days from tender of delivery with respect to Parts and (b) the earlier of (i) eighteen (18) months from tender of delivery or (ii) twelve (12) months from installation with respect to Valves, Powell warrants to Purchaser that the Parts and/or Valves, as applicable, of its own manufacture are free of defects in material and workmanship, under normal use and proper operation. If any such Products fail to comply with such warranty, Powell, at Powell's option, shall either: (i) replace such defective Products; (ii) furnish replacement parts for repairing Products (iii) issue written authorization for Purchaser or others to replace or repair, without charge to Purchaser, at costs comparable to Powell's normal manufacturing costs, those parts proven defective; or (iv) refund all monies paid by Purchaser to Powell for such Products and, at the sole discretion of Powell, have the Products returned to Powell at Powell's expense. Finished materials and accessories purchased from other manufacturers are warranted only to the extent of the manufacturer's warranty to Powell (to the extent transferable by Powell to Purchaser). Any alteration in material or design of the Products or component parts thereof by Purchaser or others and/or the undertaking of repairs or replacement by Purchaser or its agents without Powell's written consent shall relieve Powell of all responsibility herewith.

Powell's obligations under this warranty shall be conditioned upon (a) Purchaser's notifying Powell of any alleged defect(s) in a writing that references Purchaser's Order number and provides complete identification of any allegedly defective Products within ten (10) days of the discovery of the damage or defect, and (b) Powell's satisfying itself upon inspection that its warranty has been breached. Purchaser may not bring any action under or arising from an Order or these Terms and Conditions unless such action is commenced within one year after the cause of action accrues.

EXCEPT AS SET FORTH IN THIS SECTION 17, POWELL MAKES NO WARRANTY CONCERNING THE PRODUCTS WHATSOEVER; POWELL DISCLAIMS AND EXCLUDES ALL OTHER WARRANTIES, EXPRESS OR IMPLIED, INCLUDING, WITHOUT LIMITATION, WARRANTIES OF NON-INFRINGEMENT AND THE IMPLIED WARRANTIES OF MERCHANTABILITY AND FITNESS FOR A PARTICULAR PURPOSE. THE OBLIGATIONS SET FORTH IN THIS SECTION 17 ARE POWELL'S SOLE OBLIGATIONS AND PURCHASER'S EXCLUSIVE REMEDY. POWELL SHALL NOT BE LIABLE FOR ANY DIRECT, INDIRECT, INCIDENTAL OR CONSEQUENTIAL DAMAGES, AND PURCHASER HEREBY WAIVES, FOR ITSELF AND ITS SUCCESSORS AND ASSIGNS, (A) ANY AND ALL CLAIMS FOR PUNITIVE DAMAGES AND (B) ALL CLAIMS OF NEGLIGENCE OR STRICT LIABILITY OR BOTH. WITHOUT LIMITATION TO THE FOREGOING, IN NO EVENT SHALL POWELL BE LIABLE FOR THE LOSS OF USE OF THE PRODUCT OR FOR THE LOSS OF USE OF ANY OTHER PRODUCT, PROCESS, EQUIPMENT, OR FACILITIES OF PURCHASER OR OF THE END-USER, WHETHER PARTIALLY OR WHOLLY DUE TO DEFECTS IN MATERIAL AND/OR WORKMANSHIP AND/OR DESIGN OF POWELL'S PRODUCT, AND IN NO EVENT SHALL POWELL BE LIABLE FOR REMOVAL OF APPURTENANCES OR INCIDENTALS SUCH AS CONNECTIONS, PIPE WORK AND SIMILAR ITEMS OF OBSTRUCTION OR FOR ANY COSTS BROUGHT ABOUT BY NECESSITY OF REMOVING THE PRODUCT FROM ITS POINT OF INSTALLATION.

Purchaser (a) recognizes that the limitations contained in this Section 17 are material factors in Powell's sale of the Products at the price(s) specified, and (b) agrees that any accommodation to Purchaser by Powell, whether for sales policy reasons or otherwise, shall not be taken to establish any liability of Powell or any contract term inconsistent with this Agreement.

Purchaser shall neither make nor purport to make (a) any warranty to any person by or on behalf of Powell or (b) any warranty or representation inconsistent with this Section 17.

18. COMPLIANCE WITH LAWS: Powell certifies that the Products produced by it, if any, were produced in compliance with all applicable requirements of Sections 6, 7 and 12 of the Fair Labor Standards Act of 1938, as amended, and the Regulations and Orders of the Administrator of the Wage and Hour Division issued under Section 14 thereof.

Powell shall endeavor to comply with all applicable Ohio and United States federal laws. Powell is not responsible for compliance with any other laws or regulations, or with any Product standard or specification, whether of general or particular application, unless Purchaser has furnished specific written notice thereof prior to Powell's entry of Purchaser's Order.

All sales of Products are conditioned upon and subject to strict compliance with United States export control laws, rules and regulations, including, without limitation, the Export Administration Act, the Export Administration Regulations, the Arms Control Act, the International Traffic in Arms Regulations, the Trading With the Enemy Act, the International Economic Powers Act and the Foreign Assets Control Regulations, as they may be amended and supplemented from time to time (each, an "Export Law" and collectively, the "Export Laws"). For any sale of Products requiring a license, permit or other approval under any Export Law ("Restricted Products"), Powell shall determine the feasibility of obtaining such license, permit or other approval ("Export Approval") and whether it will fill the order for the Restricted Products in light of required Export Approval. In the event Powell applies for Export Approval for the Restricted Products, it shall do so at Purchaser's cost and expense and Purchaser agrees to reimburse Powell for any cost or expenses (including Powell's reasonable attorneys' fees) incurred by Powell in pursuing Export Approval. Powell shall not be under any obligation to ship any such Restricted Products unless and until such Export Approval is granted, and only in strict compliance with the terms and conditions of such Export Approval. Purchaser shall be responsible for timely obtaining and maintaining any required import license, permit or approval necessary to import any Restricted Products into Purchaser's country and any other required governmental authorization ("Import Approval"). Powell shall not be liable if any Export Approval or Import Approval is delayed, denied, revoked, restricted or not renewed, and Purchaser shall not be relieved thereby of its obligations to pay Powell for the Restricted Products or Powell's costs and expenses of obtaining Export Approval in respect of Restricted Products under the Export Laws.

For Products other than Restricted Products, Purchaser (or its designated export agent) shall be responsible for the timely application for any required export authorization and the payment of any required fees, duties, taxes, tariffs, levies or other charges necessary to export the Products out the United States of America and shall be responsible for timely obtaining and maintaining any required Import Approval and the payment of any required fees, duties, taxes, tariffs, levies or other charges necessary to import the Products into Purchaser's country. Powell shall not be liable if any export authorization or Import Approval is delayed, denied, revoked, restricted or not renewed, and Purchaser shall not be relieved thereby of its obligations to pay Powell for the Products.

Purchaser shall not make any disposition of any Products purchased hereunder, by way of transshipment, reexport, diversion or otherwise, other than in and to the ultimate end user and country of destination specified on Purchaser's order or declared as the ultimate end user and country of ultimate destination on Powell's invoices, except as the Export Laws or Export Approval may expressly permit. Purchaser shall not distribute or resell any Product to or within any country or to any individual, government authority or other entity that is presently or at any time in the future subject to sanctions of the United States government, or is in violation of any Export Laws or other United States federal laws, statutes, codes, Executive Orders, decrees, rules or regulations relating to terrorism, drug trafficking or money laundering, or is designated under any such authority as being subject to sanctions or connected in any way to terrorism, drug trafficking or money laundering, including, without limitation, on the Specially Designated Nationals List and Block Persons List maintained by the Office of Foreign Assets Control (OFAC), United States Department of the Treasury, and the Denied Persons List, the Entity List and the Unverified List maintained by the Bureau of Industry and Security, United States Department of Commerce.

Purchaser shall indemnify and hold harmless Powell from and against any damages, liabilities or expenses of any kind incurred by Powell as a result of Purchaser's direct or indirect breach of any term or condition related to the Export Laws.

19. SAFETY: Purchaser warrants that it will comply with all laws, regulations, standards and requirements which are applicable to the use of the Products and Purchaser's business.

20. CONFIDENTIALITY: Purchaser will not disclose or otherwise disseminate, directly or indirectly, any of the terms of these Terms and Conditions or any other information of Powell given to or received by Purchaser or its associates or agents, unless Purchaser received Powell's written permission or such information is required to be disclosed by law or becomes part of the public domain through no fault of Purchaser, its associates or agents.

21. GOVERNING LAW; JURISDICTION AND VENUE: These Terms and Conditions shall be governed by and construed in accordance with the internal laws of the State of Ohio, without regard to such state's choice of law principles. These Terms and Conditions shall not be governed by or construed in accordance with the United Nations Convention on the International Sale of Goods, 1980, for any purpose. Customer and Powell hereby submit to the jurisdiction and venue of the state and federal courts in Cincinnati, Hamilton County, Ohio over any controversy relating to or arising from these Terms and Conditions. Notwithstanding the foregoing, Powell's right to institute or defend any proceedings in any jurisdiction, in or out of the United State of America, shall not be limited.

22. SEVERABILITY: If any of the provisions of these Terms and Conditions are deemed invalid, illegal or unenforceable, the validity, legality and enforceability of the remaining provisions will in no way be affected or impaired thereby.

23. FORCE MAJEURE: Delivery of all or any part of the Products is contingent upon Powell's ability to obtain supplies, raw materials and services through its regular and usual sources of supply. If by reason of any contingency beyond Powell's reasonable control, including (but not limited to) war, governmental requests, restrictions or regulations, fire, flood, casualty, accident, or other acts of God, strikes or other difficulties with employees, delay or inability to obtain labor, equipment, material and services through Powell's usual sources, failure or refusal of any carrier to transport materials, delay in transport thereof, or any other similar occurrence, Powell is not able to meet anticipated deliveries, Powell shall not be liable therefore and may, in its discretion without prior notice to Purchaser, postpone the delivery date(s) under this document for a time which is reasonable under all the circumstances. If during the occurrence of any of the foregoing contingencies, Powell holds any of the Products, Powell may invoice and hold the same for the account of Purchaser and Purchaser agrees to make payment at the maturity of the invoice so rendered.

24. ASSIGNMENT: No right or interest in the contract arising from these Terms and Conditions shall be assigned by Purchaser and no delegation of any obligation owed by Purchaser shall be made without the prior written permission of Powell. As used herein, "Purchaser" and "Powell" include the respective heirs, executors, personal representatives, successors and permitted assigns of each.

25. REMEDIES CUMULATIVE; NO WAIVER: The individual rights and remedies of Powell reserved herein shall be cumulative and additional to any other or further remedies provided in law or equity or in this document. Waiver by Powell of performance or breach of any provision hereof by Purchaser, or failure of Powell to enforce any provision hereof which may establish a defense or limitation of liability, shall not be deemed a waiver of future compliance therewith or a course of performance modifying such provision, and such provision shall remain in full force and effect as written.

26. LIMITATION OF LIABILITY: UNDER NO CIRCUMSTANCES SHALL POWELL BE LIABLE TO PURCHASER UNDER OR IN CONNECTION WITH ORDERS FOR PRODUCTS AND THESE TERMS AND CONDITIONS, WHETHER ANY CLAIM FOR RECOVERY IS BASED UPON OR ARISES OUT OF THEORIES OF BREACH OF CONTRACT, BREACH OF WARRANTY, INDEMNIFICATION, NEGLIGENCE, TORT (INCLUDING STRICT LIABILITY) OR OTHERWISE, IN EXCESS OF AN AMOUNT EQUAL TO THE NET CONTRACT VALUE OF THE PRODUCTS PROVIDED BY POWELL TO PURCHASER DURING THE MOST RECENTLY ENDED CALENDAR QUARTER.



POWELL VALVES



POWELL **VALVES**

2503 SPRING GROVE AVENUE, CINCINNATI, OHIO 45214-1771, U.S.A.

PHONE: 513.852.2000 • FAX NO. 513.852.2997

www.powellvalves.com